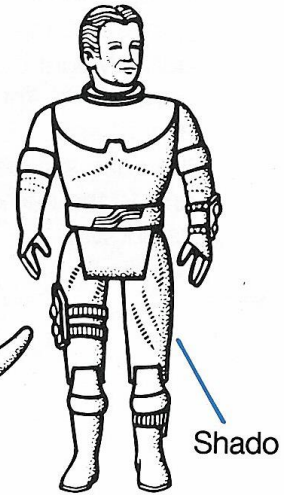
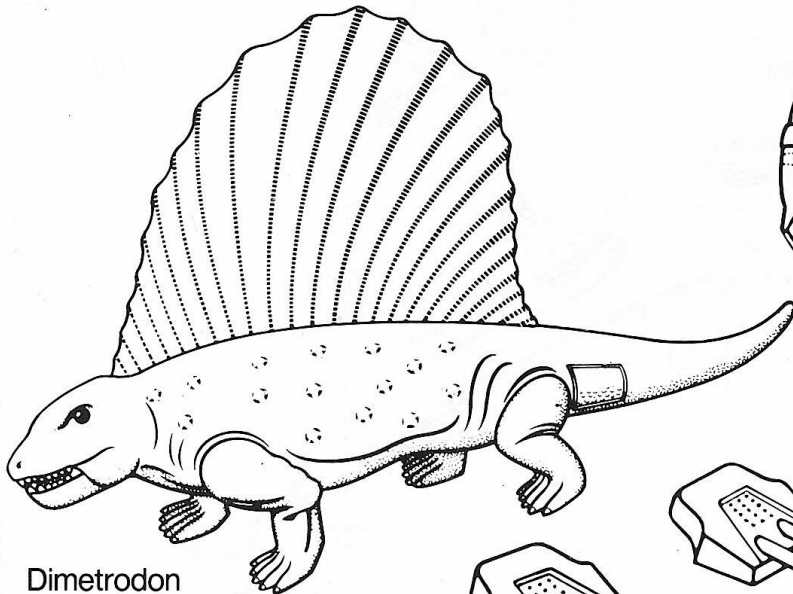


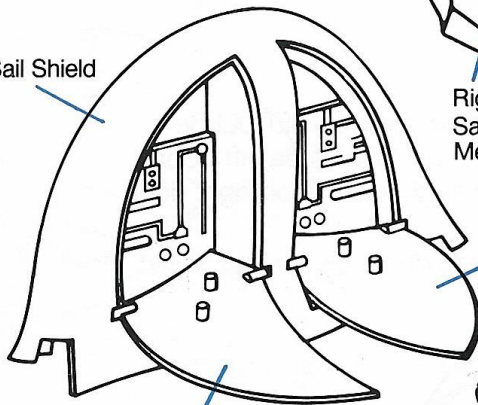
DIMETRODON

with *Shado*



Dimetrodon

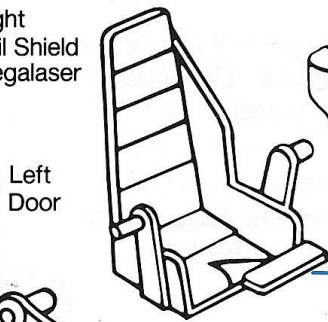
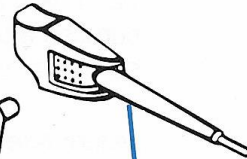
Sail Shield



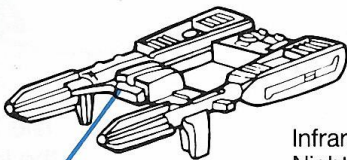
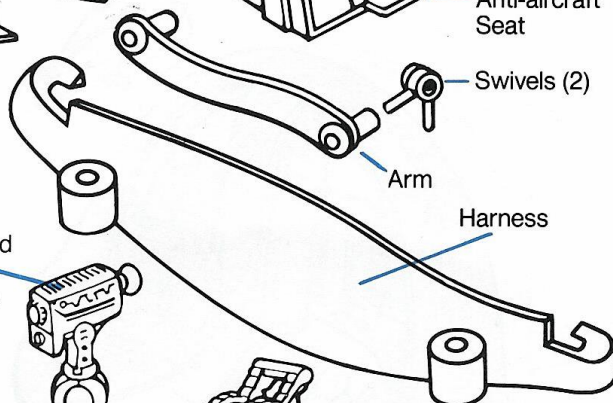
Right Door



Gun Tips (4)



Swivels (2)



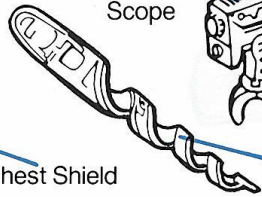
Infrared Night Scope



Double Barrel Rifle



Chest Shield



Psyche Blade



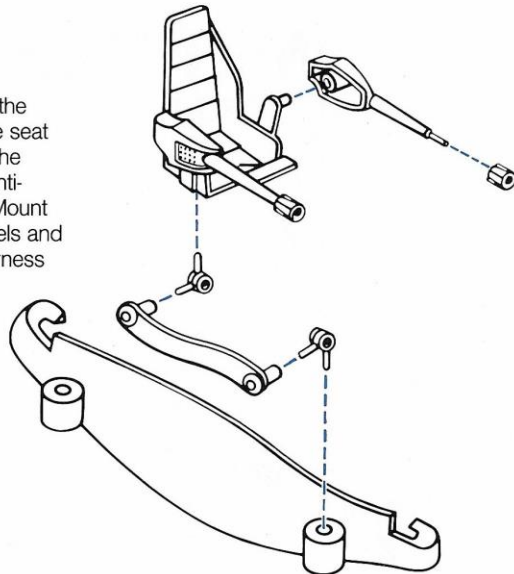
Rifle Harness



Accessories may or may not be attached to parts tree.

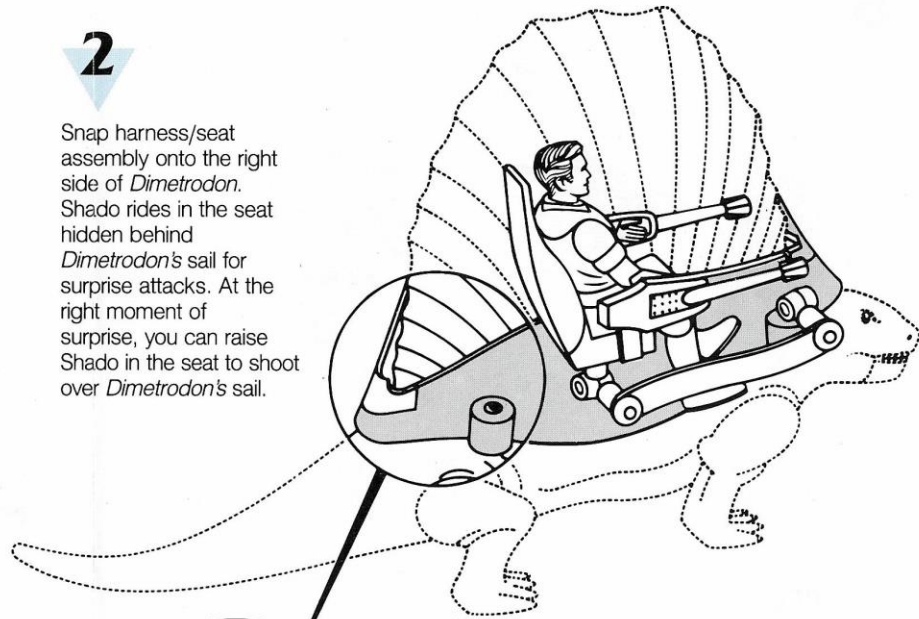
1

Mount two of the gun tips to the seat guns. Mount the guns to the Anti-aircraft seat. Mount the seat, swivels and arm to the harness as shown.



2

Snap harness/seat assembly onto the right side of *Dimetrodon*. Shado rides in the seat hidden behind *Dimetrodon's* sail for surprise attacks. At the right moment of surprise, you can raise Shado in the seat to shoot over *Dimetrodon's* sail.



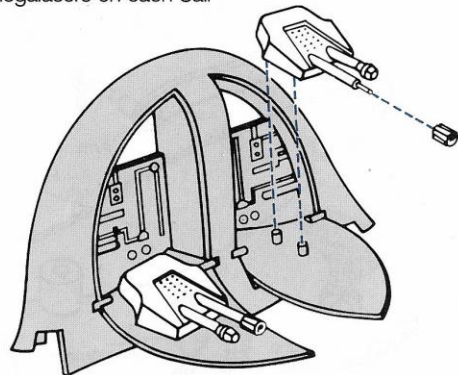
3

When you are not planning a surprise attack, *Dimetrodon* can be armored.

Shield door. CAREFUL! Be sure left laser is on left door and right laser is on right door.

Mount one gun tip on each of the megalasers. Mount megalasers on each Sail

Snap doors on the Sail Shield.

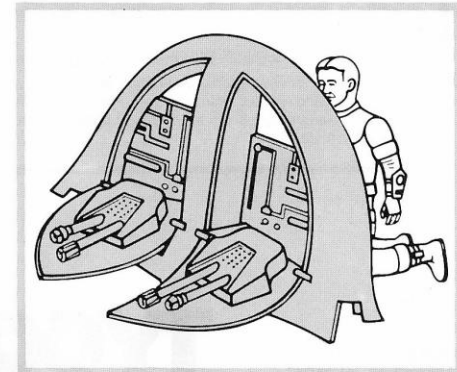
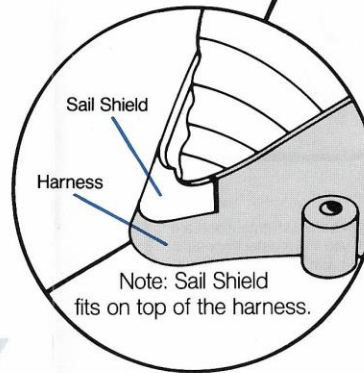


5

The Sail Shield can also be used as a gun emplacement when it is not on *Dimetrodon*.

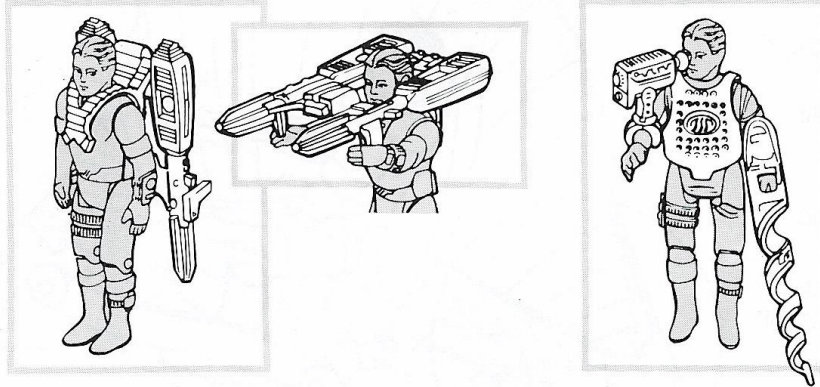
4

The Sail Shield snaps onto the left side of *Dimetrodon*. Be sure it is pushed down snugly on to the sail.



6

The AMP is worn around Shado's neck. The Chest Shield, Psyche Blade and Spy Scope clip on as shown. Mount the Double Barrel Gun to the Gun Harness. This gun can be carried by Shado on his back. It easily swings around to firing position whenever necessary.

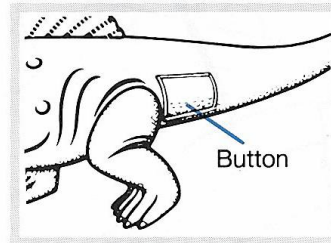


If you have any comments or questions about your Tyco Dino-Rider playsets, please call us.

TOLL FREE
1-800-257-7728

in New Jersey
1-800-322-8011

Press button to activate powerful snapping jaws.



Tyco® Dino-Riders® 90-Day Limited Warranty

All Tyco products are subjected to a thorough inspection and test program before shipment and are guaranteed to be free from factory defects in materials or workmanship. If you find a defective part in your set — mail the product within 90 days of the date of purchase, along with proof of the date of purchase, to:

TYCO SUPER-FAST SERVICE, 540 Glen Avenue, Moorestown, NJ 08057.

We will repair or provide a replacement part or unit without charge. To prevent damage in transit, please pack securely. This warranty does not cover damage resulting from accident, misuse or abuse. This warranty gives you specific legal rights and you may also have other rights which vary from state to state.

Tyco Industries, Inc.
Moorestown, NJ 08057

TYCO®

PRINTED IN HONG KONG
© 1988 P 97-8-136 A